

NEW!
CoreIDRAW[®]2025

There's a CoreIDRAW
for everyone.

Introducing new graphics solutions for
every designer and skill level

All information contained in this presentation is
under embargo until 9 am EST on March 4, 2025.



Meet the CorelDRAW product family



CorelDRAW[®] Go[™]

Intuitive web-based graphic design app that goes beyond templates



**CorelDRAW[®]
GRAPHICS SUITE**

Comprehensive graphic design toolbox for professionals

**CorelDRAW[®]
TECHNICAL SUITE** 

Fully-loaded professional design suite for technical communication

**CorelDRAW[®]
STANDARD** 

Desktop graphic design software for your hobby or home business

**CorelDRAW[®]
ESSENTIALS** 

Desktop graphic design software for casual creators



Creativity
meets
productivity.





What's included?

All the tools you need to tackle and project.



CorelDRAW®
Vector illustration and page layout

Create anything and everything with this powerful full-featured graphic design application for vector illustration, page layout, and more.



Corel PHOTO-PAINT™
Image editing and pixel-based design

Process images in high gear with the robust AI-powered Corel PHOTO-PAINT and enjoy an integrated workflow with CorelDRAW.



Corel® Font Manager
Font exploration and management

Organize and manage your font library intuitively and use your favorite fonts without needing to install them.



CorelDRAW® Web
Browser-based vector illustration & graphic design

Design on the go with CorelDRAW Web. Save your projects to the cloud and access them online, from any web browser.
Subscriber-exclusive



CAPTURE™
Screen capture

Capture and save images of your computer screen, including the entire screen, individual windows, or menu lists, in one click.
On Windows only



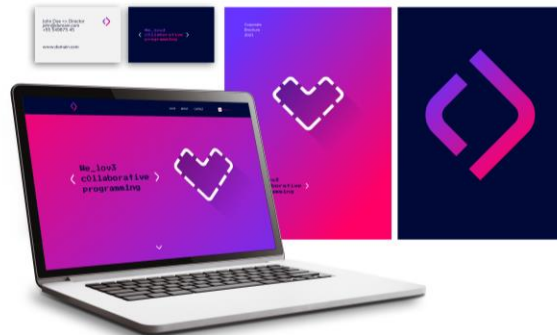


Who's it for?

Enjoyed by diverse designers and businesses worldwide. (1 of 2)

Branding & marketing

From creative professionals working in advertising and publishing, to small businesses producing in-house marketing materials, CorelDRAW Graphics Suite has the tools to create everything from stand-out brand identity assets to alluring sales tools.



Signage & large-format printing

Professionals in the sign and print industry rely on CorelDRAW to create artwork for a variety of print outputs, thanks to a powerful color management engine, integrated Pantone support, and superior prepress tools.



Apparel & textiles

Whether you're in the business of screen printing, embroidery, direct-to-garment printing or apparel, CorelDRAW Graphics Suite has all the tools you need to produce and output designs for the fashion industry.





Who's it for?

Enjoyed by diverse designers and businesses worldwide. (2 of 2)

Retail & eCommerce

CorelDRAW Graphics Suite has commerce professionals covered with dedicated tools for web and print, whether you're designing point-of-sale promotions or creating assets to enhance an online store.

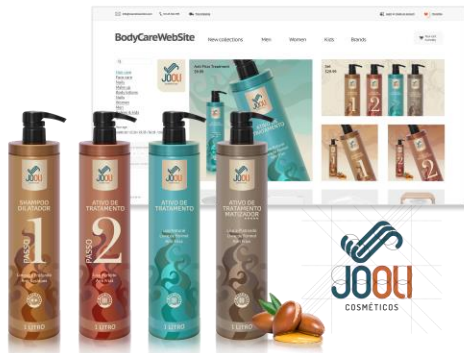


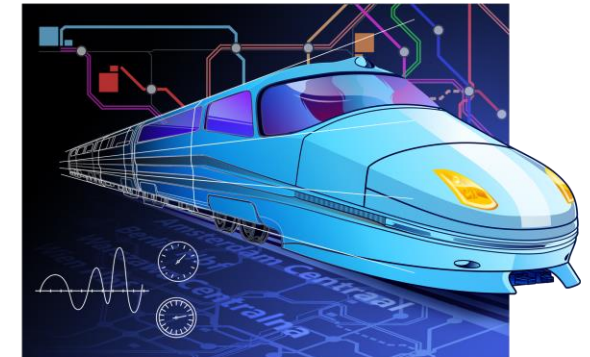
Illustration & fine art

Illustrators and artists alike can combine their classic art practices with CorelDRAW's state-of-the-art vector-illustration technology to create beautiful, sophisticated works of art.



Blueprints, maps & schematics

CorelDRAW is a trusted name in engineering, manufacturing and construction firms with precision tools for creating product and parts illustrations, diagrams, schematics, and other intricate visuals.





Offering choice.

Flexible, affordable purchasing for all team sizes and budgets.

Subscription

- Lowest upfront cost and the flexibility to stop paying as your software needs change. Choice of annual or monthly subscription to match your design needs and budget.
- Guaranteed access to the latest software, exclusive features, content, and more, as long as you maintain your subscription.

License with maintenance

- Low-cost annual payment plan attached to a one-time license purchase. If you choose to discontinue your Maintenance, you get to keep and use the latest version of the software you received, for as long as operating systems, devices, and technologies support it.
- Guaranteed access to the latest software, exclusive features, content, and more, for as long as your Maintenance is active.

One-time purchase

- Own and use your software version for as long as you choose, with no extra cost, as long as operating systems, devices, and technologies continue to support it.
- Must purchase new software versions at full price to stay up to date.



Purchase options comparison

	Subscription	License + maintenance	One-time purchase
Exclusive features Enjoy exclusive features, apps, and workflows.	✓	✓	—
Latest and greatest Instant access to the latest updates at no extra cost.	✓	✓	—
Budget-friendly Lowest upfront cost and the flexibility to stop paying for a defined period as your software needs change.	✓	—	—
Ongoing support Guaranteed support for the latest operating systems, devices, and technologies.	✓	✓	(✓) Quality updates for a limited time
Product ownership Own and use the software version for as long as you choose.	—	✓	✓

Expand your creative universe.

Loaded with new apps, features and enhancements, CorelDRAW Graphics Suite 2025 offers endless design possibilities with unparalleled efficiency.





What's new?

(1 of 2)

New! CorelDRAW® Web

SUBSCRIBER EXCLUSIVE!

CorelDRAW Web, a powerful browser-based version of CorelDRAW, offers the full CorelDRAW experience in the cloud, enabling you to design beyond the desktop.



New! Print to PDF

Advanced Print to PDF capabilities in CorelDRAW and Corel PHOTO-PAIN streamline your print workflow by eliminating the need for additional software and steps, a game-changer for professional printing jobs.



Enhanced! Painterly Brush tool

Accelerate your creativity with a more powerful Painterly Brush tool, now featuring additional brush controls, and improved compatibility with other tools.





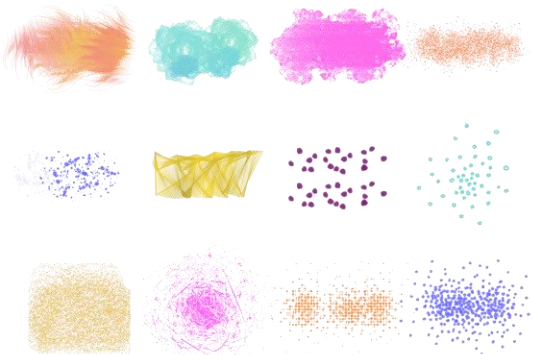
What's new?

(2 of 2)

New! Subscriber-exclusive brush packs

SUBSCRIBER EXCLUSIVE!

Enjoy 50 new pixel-based brushes, bringing the exclusive collection for subscribers to 100 free brushes—on top of 100+ brushes provided to everyone.



Other enhancements

Continuing our commitment to deliver on customer requests, our latest version includes performance and quality improvements, direct access to additional Google Fonts, and advanced security upgrades for your peace of mind.



New for one-time purchasers...

- **ENHANCED! Pantone Color Palettes**—Get Pantone's latest Dualities palette in CorelDRAW and PHOTO-PAINT at no extra cost. Access 175 innovative new shades for precise color matching
- **NEW! Optimized learning experience**—Enjoy personalized recommendations for tutorials that match your experience level and needs.
- **NEW! Personalized practice projects**—Learn new techniques with practice project recommendations tailored to your skill level and experience.





Subscribers get more.

More features. More content. More often.

Subscribers and maintenance customers continue to receive exclusive access to features, apps, and workflows, including:

- **NEW!** CorelDRAW Web
- **NEW!** Additional brush packs
- Cloud template library
- Additional templates
- Cloud-based asset management
- Cloud file storage





Pricing and availability

15 languages:

EN, FR, ES, BR, DE, IT, NL, SV, CZ, PL, RU, TR, CS, CT, JP

1

Subscription

- Windows, Mac, web
- Pricing:
 - Annual (prepaid): \$269 USD

2

License with maintenance

- Windows, Mac, web
- Pricing:
- Enterprise license (1-year maintenance included): \$719 USD
 - 1-year maintenance renewal: \$119 USD

3

One-time purchase

- Windows & Mac
- Pricing: \$549 USD

Note: All pricing values SRP excl. taxes/VAT



Details matter.





What's included?

A collection of versatile design and drafting applications



Corel DESIGNER™
Technical design &
illustration

Achieve accurate results with powerful technical design and illustration tools.



**XVL Studio
Corel Edition***
3D repurposing

Add context to your technical projects by using 3D views and models in your illustrations.



CorelDRAW®
Vector illustration and page layout



Corel PHOTO-PAINT™
Image editing and pixel-based design



Corel® Font Manager
Font exploration and management



CorelDRAW® Web
Browser-based vector illustration & graphic design



CAPTURE™
Screen capture

*XVL Studio 3D CAD Corel Edition (for advanced 3D CAD data repurposing) is alternatively available with the CorelDRAW Technical Suite 3D CAD product edition.





Used in technical drawing and design workflows

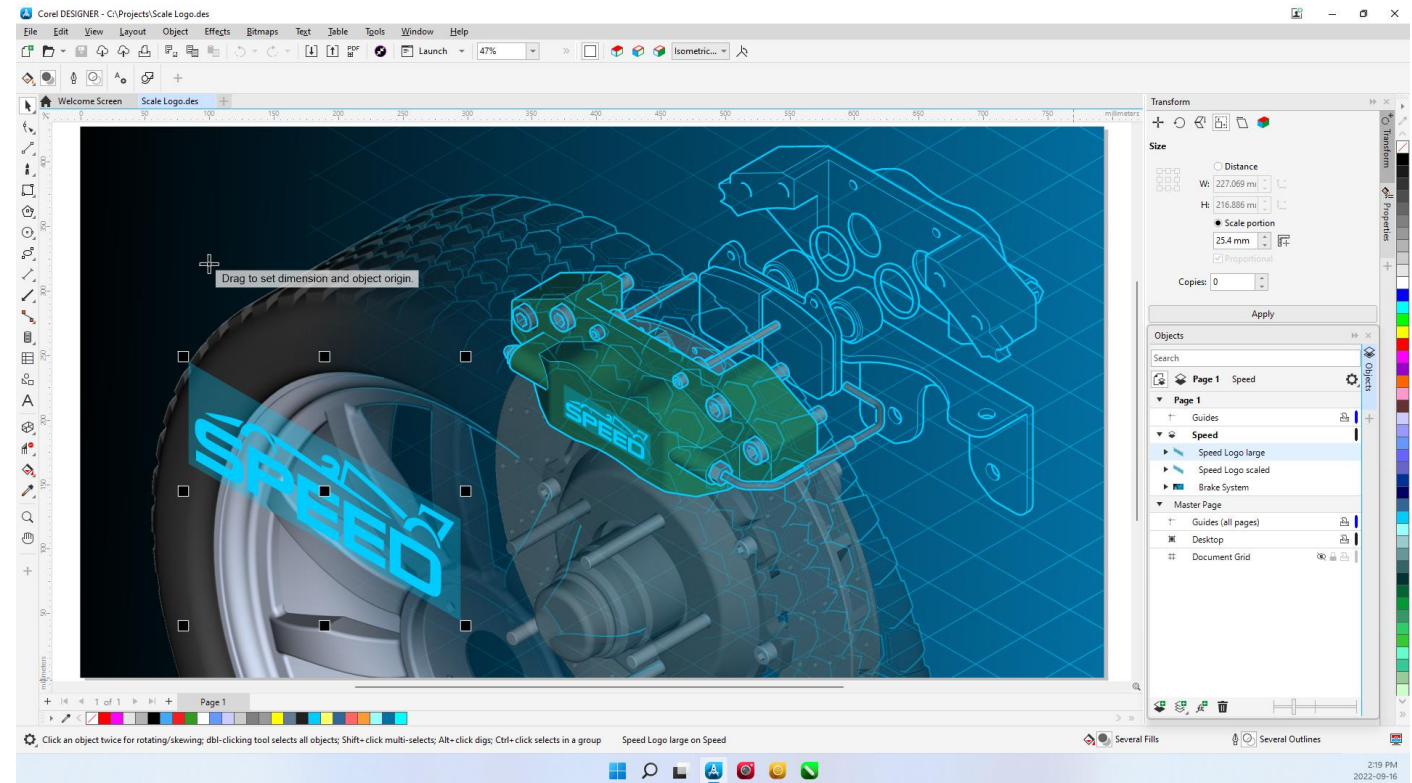
Trusted by businesses globally— from manufacturing and engineering to architecture and high tech

Top industries

- Discrete manufacturing
- Process manufacturing
- AEC (architecture, engineering, construction)

Top use cases

- Precise technical drawings
- Clear technical illustrations
- Technical documentation and technical marketing design





What's new?

CorelDRAW Technical Suite 2025 delivers powerful updates and strengthened security for designers who demand the highest level of proficiency.

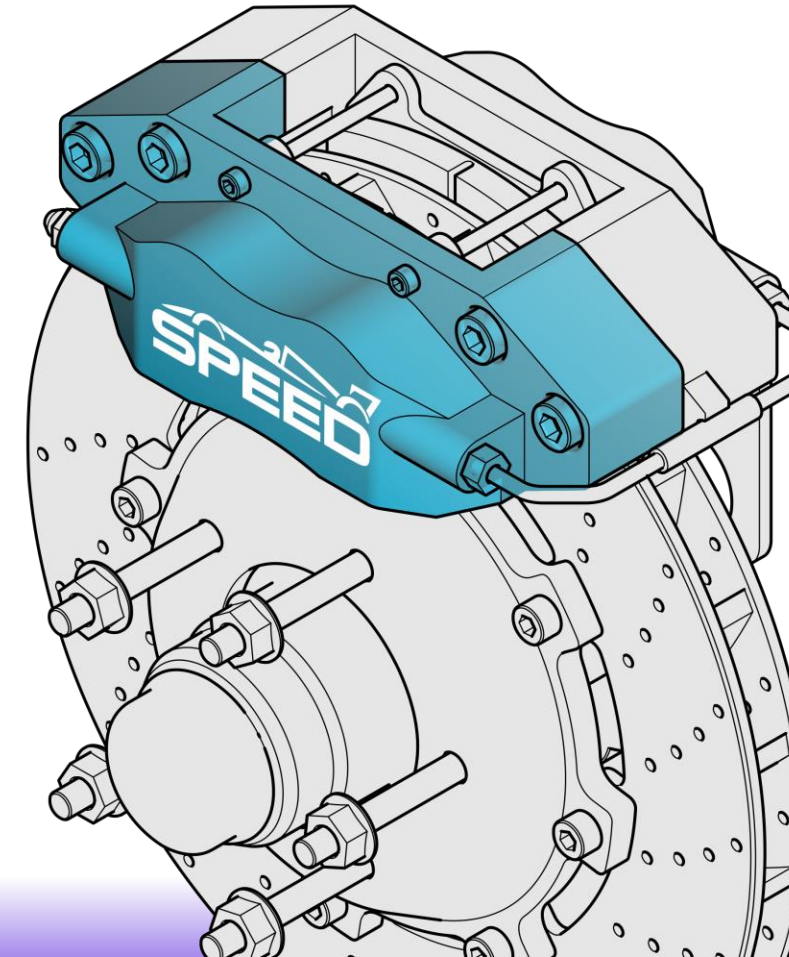
CorelDRAW Technical Suite

Our latest CorelDRAW Technical Suite release offers technical illustrators everything that CorelDRAW Graphics Suite 2025 delivers, with all the new features and enhancements also available in Corel DESIGNER.

CorelDRAW Technical Suite 3D CAD

Everything in CorelDRAW Technical Suite, plus:

CorelDRAW Technical Suite 3D CAD customers also benefit from updated 3D CAD import support in XVL Studio 3D CAD Corel Edition, allowing for seamless integration of complex models and significantly improving workflow efficiency.





Pricing and availability

4 languages:
EN, DE, FR, JP (ES, IT, NL, BR, SV, CZ, PL, TR, CS, CT)

1

Subscription

- Windows, web
- Pricing:

Product edition	Annual (prepaid)
CorelDRAW Technical Suite	\$499 USD
CorelDRAW Technical Suite 3D CAD	\$2,799 USD

2

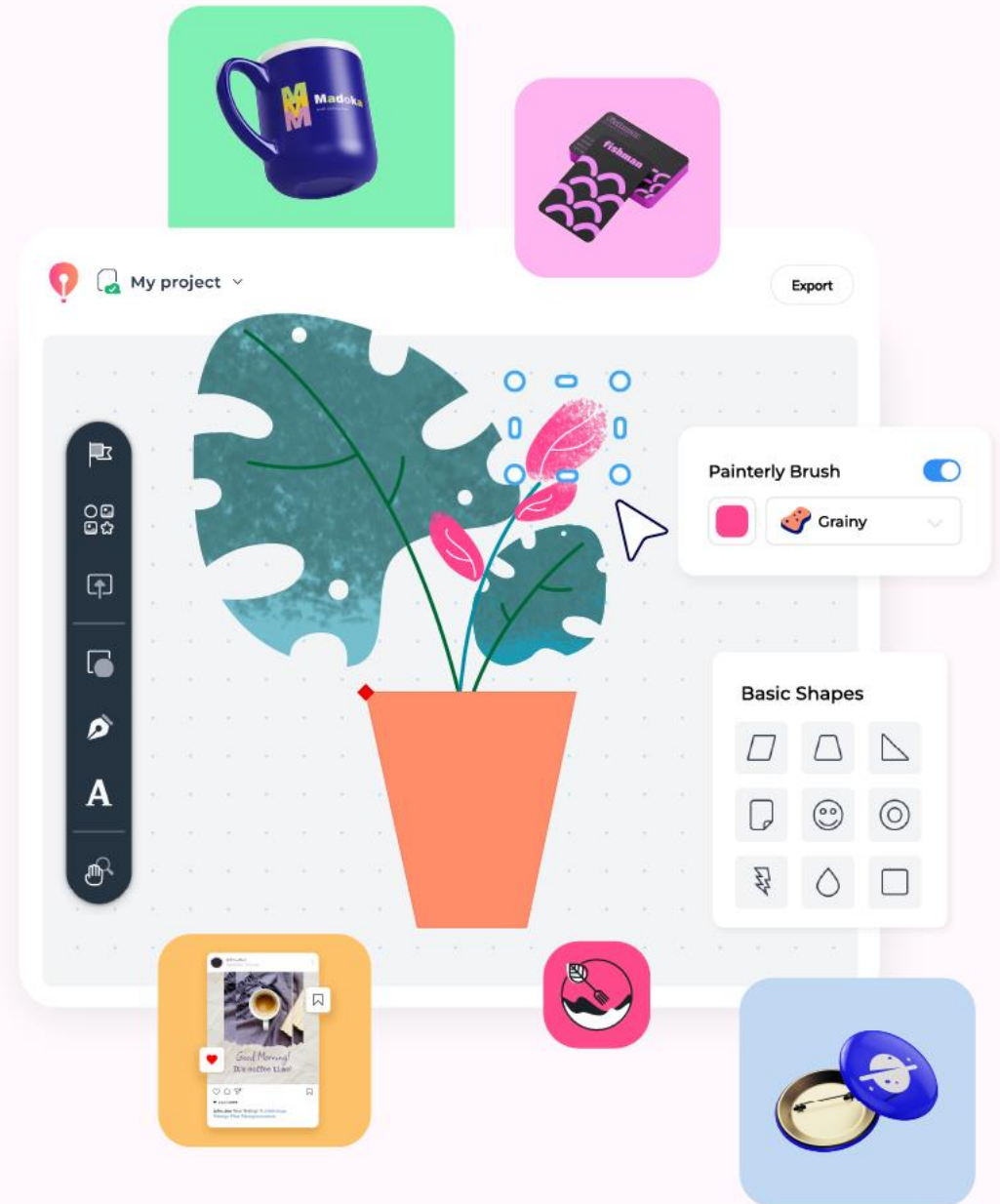
Business license

- Windows, web
- Pricing:

Product edition	Business license (1-year maintenance included)	1-year maintenance renewal
CorelDRAW Technical Suite	\$1,199 USD	\$200 USD
CorelDRAW Technical Suite 3D CAD	\$6,998 USD	\$1,169 USD

Note: All pricing values SRP excl. Taxes/VAT.

Creative online design made easy.





CorelDRAW Go's intuitive features are easy enough for beginners, yet powerful enough for creators who require more advanced drawing and editing tools than Canva or Adobe Express provide.

Beginner-friendly

- Achieve your design goals quickly with an intuitive user interface, easy-to-use tools, and popular document presets that take the guesswork out of creation.

Much more than a basic graphics app

- Turn your passion into eye-catching graphics with more creative control than you'll get with one-click design applications. You can rely on CorelDRAW Go to add your unique touch without the constraints of template-based graphics software alternatives.

Affordable and accessible

- Create stand-out designs effortlessly with an affordable, web-based graphics app—accessible anytime, anywhere, with flexible monthly or annual subscription options to suit your needs.





What's included?

Intuitive tools. Customizable design templates. Millions of creative assets.



Drawing and painting

Draw, paint, embellish and add textures to your designs with interactive drawing tools and realistic brushes.



Photo editing

Enhance your favorite images with crop, adjust brightness and contrast, fine-tune white balance, perfect hue and saturation, and more.



Mask frames

Turn any shape into a frame for your photos with easy-to-use masking controls.



Vector editing

Transform any shape into a custom creation. CorelDRAW Go's straightforward anchor point and node-editing tools let you mold vector graphics exactly to your vision.



Text and typography

Add type to any design with easy-to-use text tools and access to thousands of fonts.



Templates and stock

Kick off your creativity with thousands of editable design templates, vector icons, illustrations, and clipart. Plus, discover over six million royalty-free stock photos.

Who's it for?

Whether you're turning your passion into profit or exploring creative projects for fun, CorelDRAW Go is here to empower your journey.

Creative side hustlers:

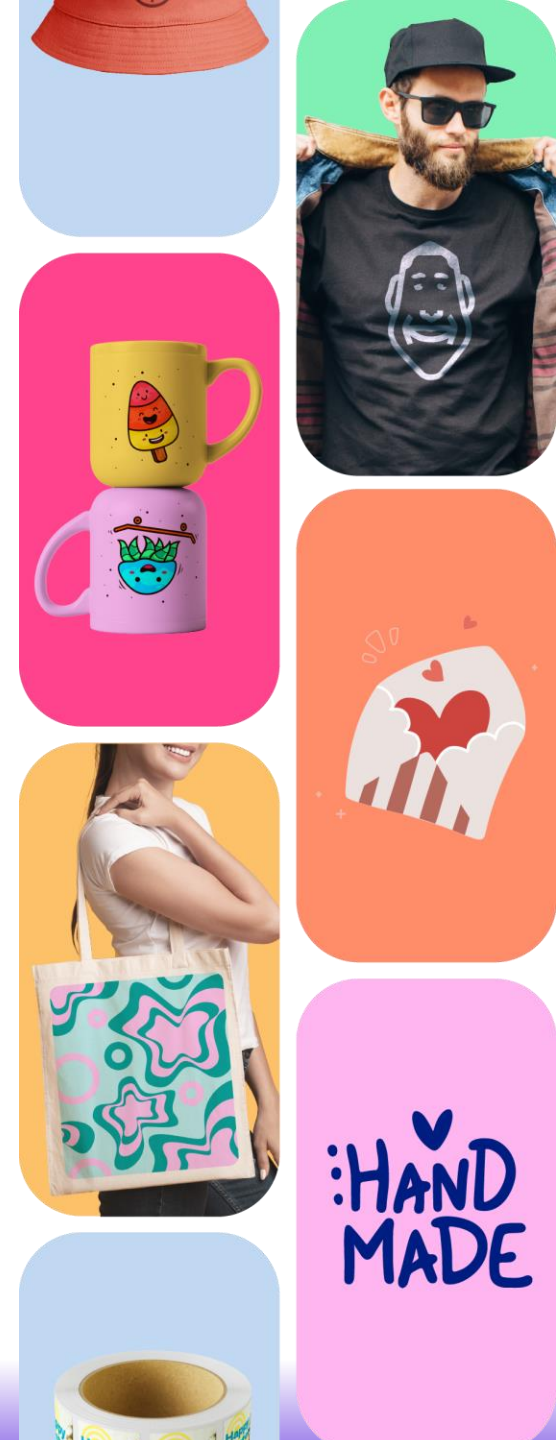
(earning income from graphics, but not as a primary job)

- Freelance designer
- Marketplace shop owner
- Selling artwork through a third-party marketplace
- Content creator (Instagram, YouTube, TikTok)

Creative consumers:

(non-professionals not generating income from their designs)

- Design enthusiast
- Knowledge worker in business
- Student
- Teacher or trainer



What is it for?

Unique use cases:

- **Merchandise designer side hustler:**
they need to be unique to sell, however they have very limited ability to go beyond templates in competitor apps.
- **Marketing specialist:**
A wearer of many hats in a small business that doesn't have in-house designers, and/or can't afford a full suite of professional tools. They have no formal design training but are tasked with creating content that requires more advanced tools.



Pricing and availability

9 languages:
EN, FR, ES, BR, DE, IT, NL, CZ, PL

Wallet-friendly subscription:

- Monthly: \$9.99 USD
- Annual (prepaid): \$99.99 USD

Available as a web app: no download or installation required!



Thank you!

Questions?

